



**DV\_(S)...G**  
EC-Roof fan vertical  
ON-OFF-Switch mounted



**KR**  
Swing out frame



**SD**  
Socket Sound Attenuator  
Aluminium



**AP**  
Adapter Plate  
for suction side  
accessories!



**VS**  
Shutter  
automatic



**ASS**  
Inlet Collar



**ASF**  
Inlet Flange



**Another possible accessories:**



**VM**  
Shutter motor driven



**BG**  
Protection guard



**FSL**  
Flat Roof Socket  
(High Version)



**SDS**  
Base for sloping roof  
(up to 45°)



**SSD**  
Sound absorber  
for sloping roof  
(1-45°)



**SDM**  
Sound insulation module  
(only for DVS version)



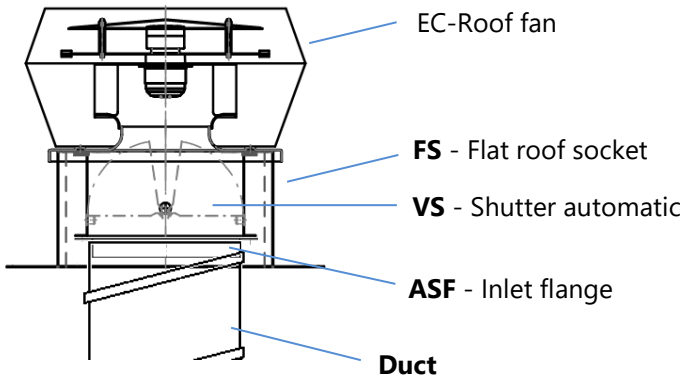
**POT 1**  
Potentiometer  
(0-10V)



**POT 2**  
Potentiometer  
(0-10V)

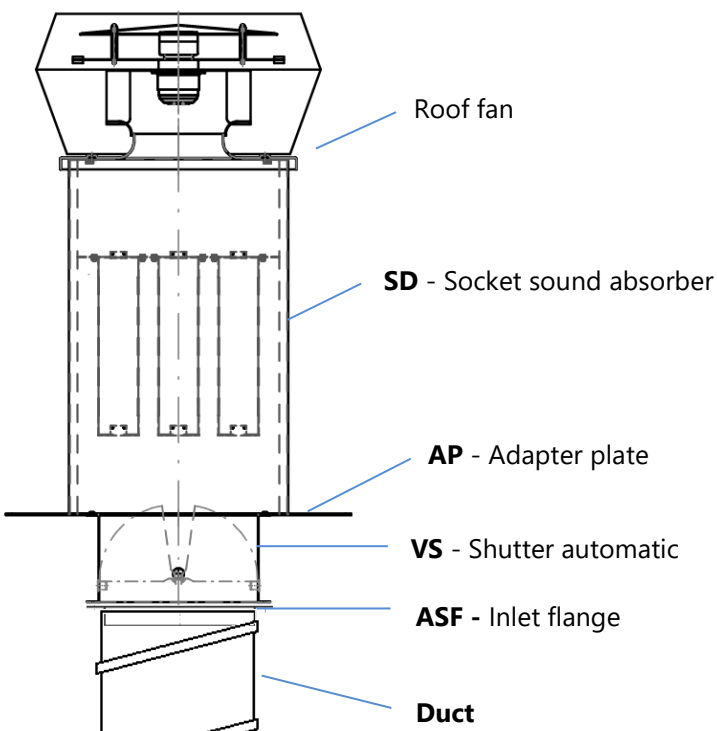
## Installation notes with shutter automatic VS:

Installation in conjunction with Flat roof socket (FS)

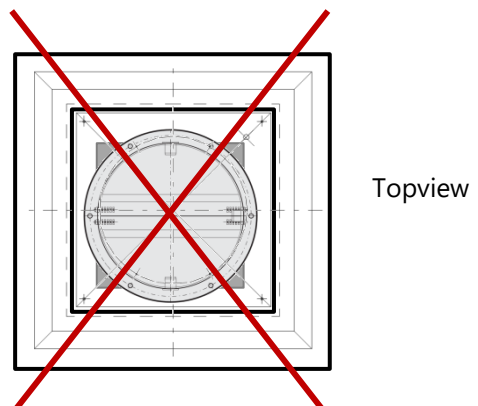
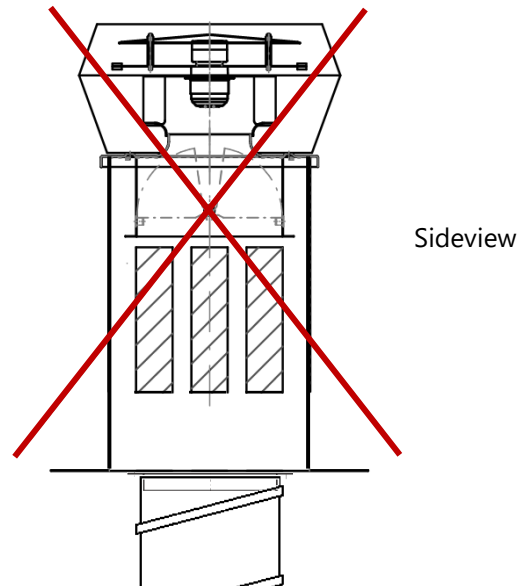


Installation in conjunction with Socket sound absorber (SD)

**RIGHT**



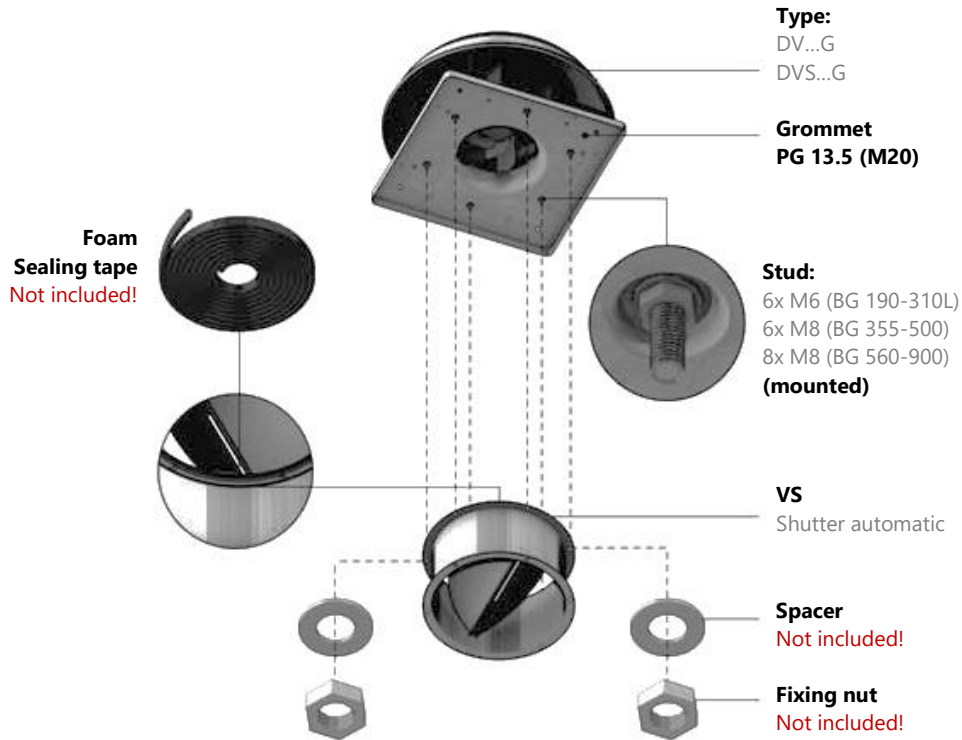
**WRONG**



## Installation of accessories

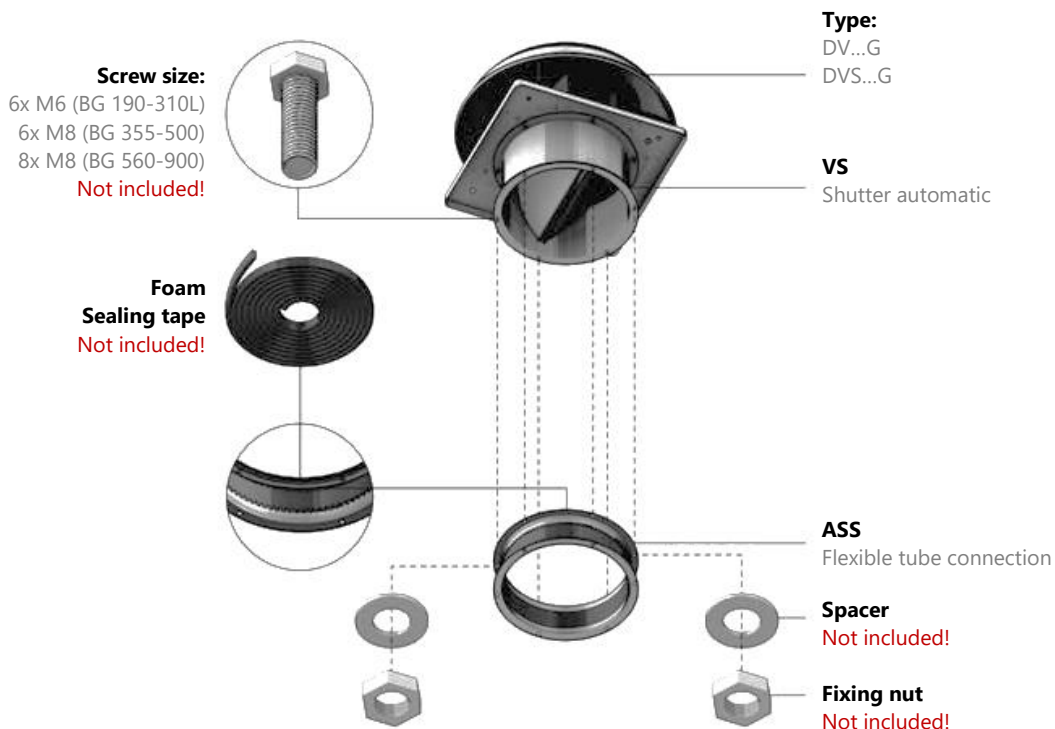
### Step 1

Installation shutter automatic



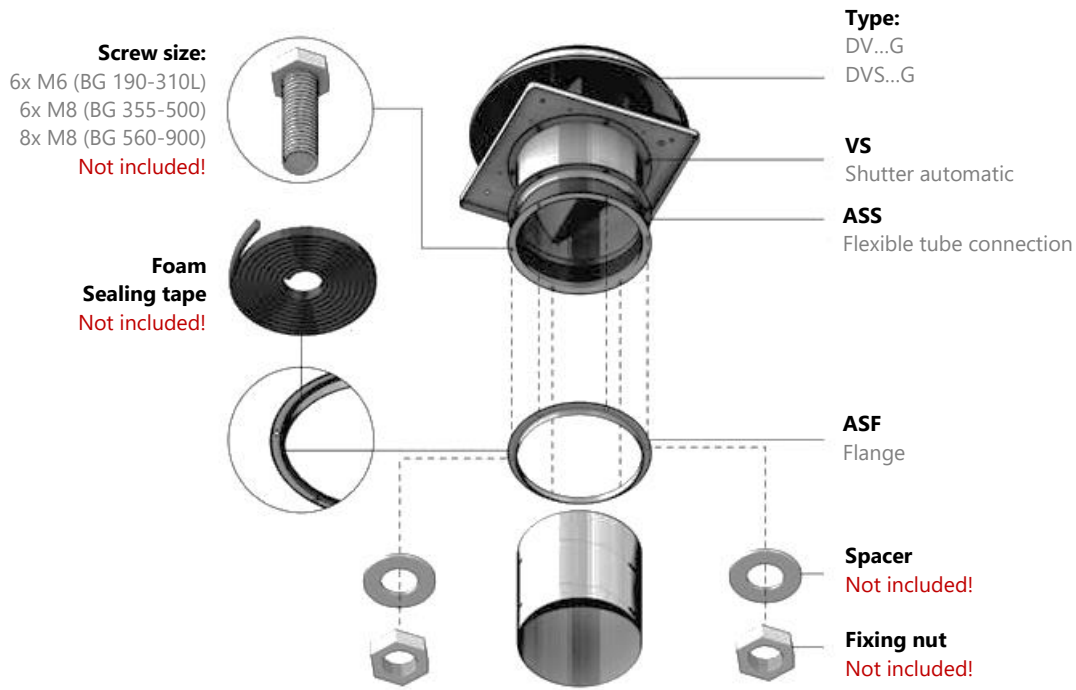
### Step 2

Installation flexible tube connection



### Step 3

Installation flange



## Step 4

Installation Flat roof socket

